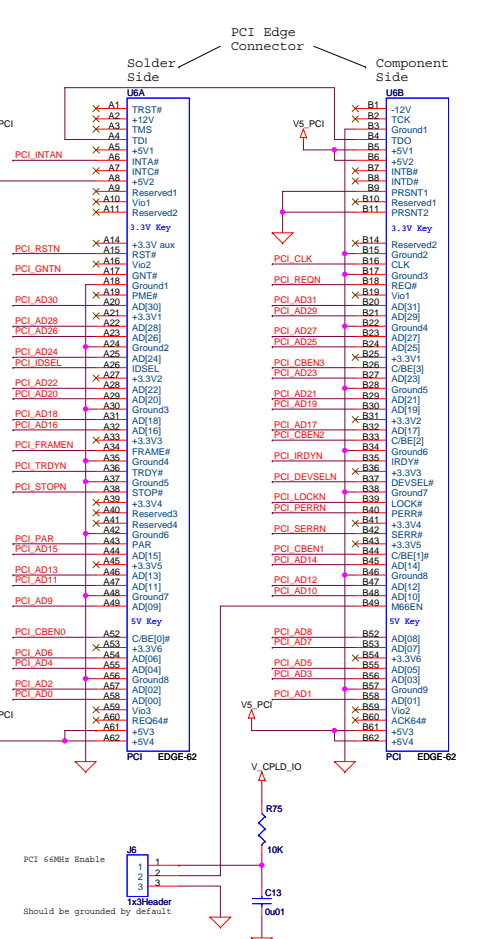
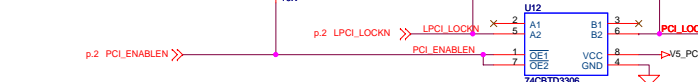
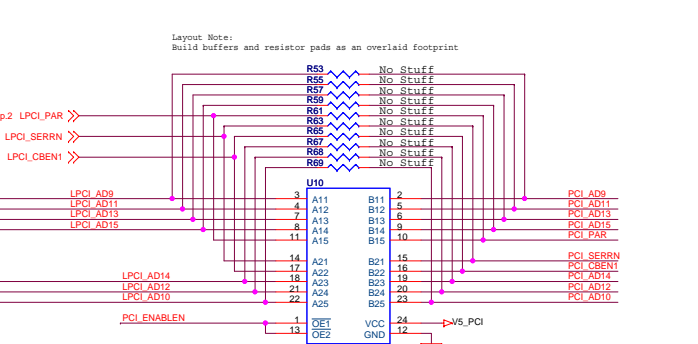
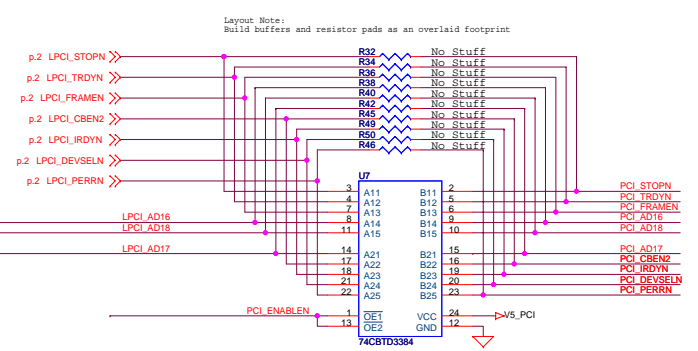
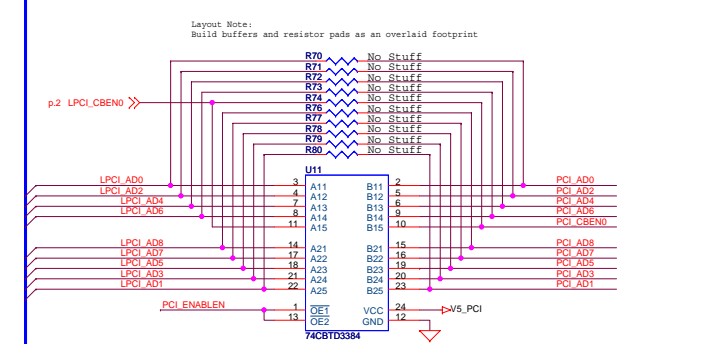
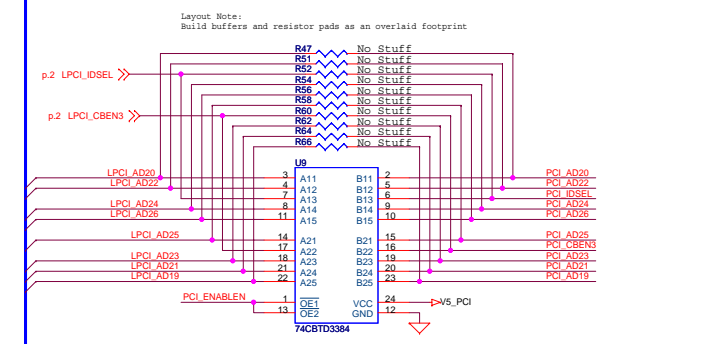
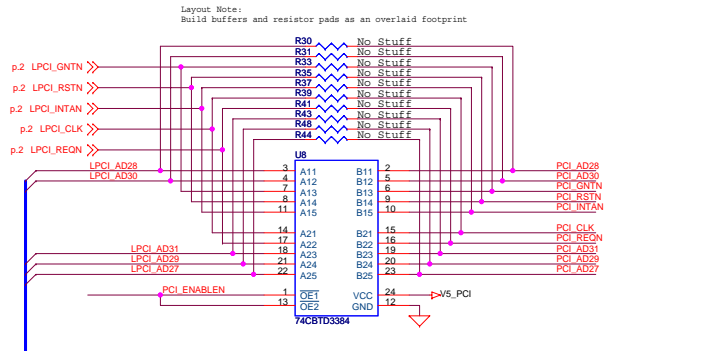


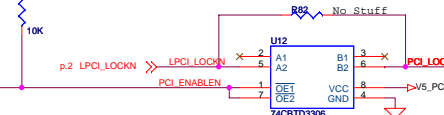
Layout Note:
 Create Silk Screen box for these four test points, label it "ACTIVE IO TEST POINTS"

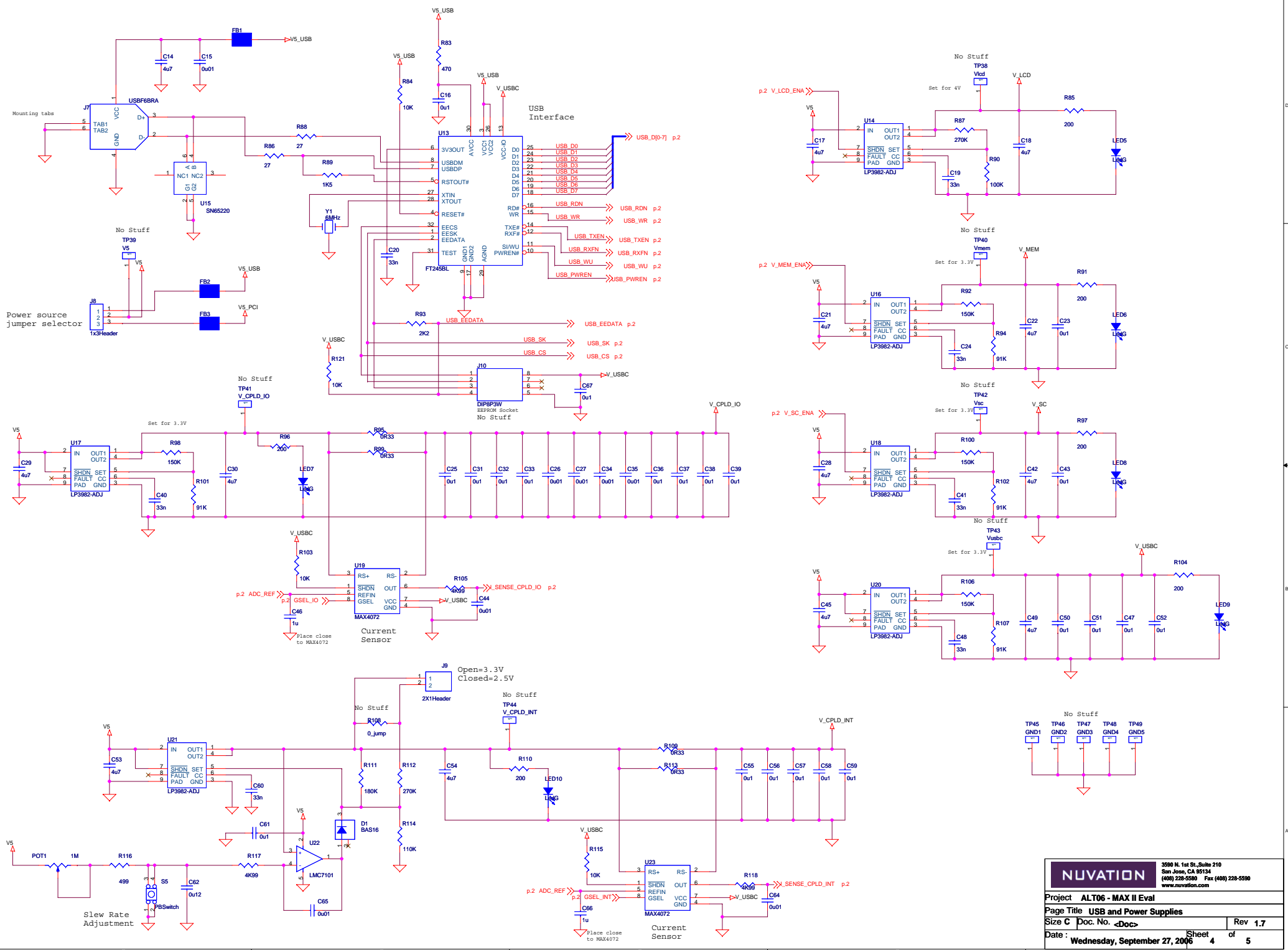
NUVATION
 3590 N. 1st St., Suite 210
 San Jose, CA 95134
 (408) 228-5590 Fax (408) 228-5590
 www.nuvation.com

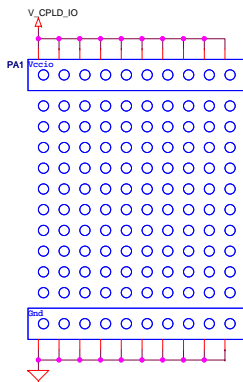
Project **ALT06 - MAX II Eval**
 Page Title **MAX II and Peripherals**
 Size C Doc. No. **<Doc>** Rev 1.7
 Date: **Tuesday, November 08, 2005** Sheet 2 of 5



PCI Level Converters







This symbol represents the prototype area consisting of:

- 10x10 grid of no-connect through-hole test points
- 10 through-hole test points connected to Vccio
- 10 through-hole test points connected to ground

LAYOUT NOTE: Silkscreen this prototype area to mark the area as pictured