

Error reporting

Tracker Week 01/2003

Strasbourg

Presented by Pierre Van Hove

2702
EP 600-1174-400-B
FE-HYBRID



C1
V250
C2
C3

J2
R2 R3
R4
R5

C4
V125
C5
C6

J4

R10 R12
R11 R13

R14 R15
R16 R17
R47

CM5 TOB 04-2002

FE_HYBRID TO UTRI ADAPTER CARD

0133

ERN1

004519

2

2

2

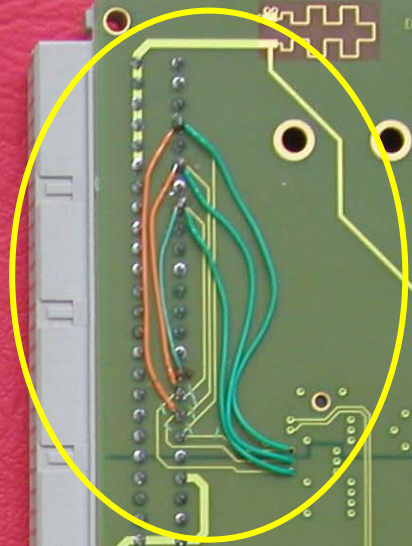
ERN

004362

2

9020

FE-HYBRID
EP 600-1174-400-B



0000

0000

0000

0000

0000

0000


0000


0000

0000

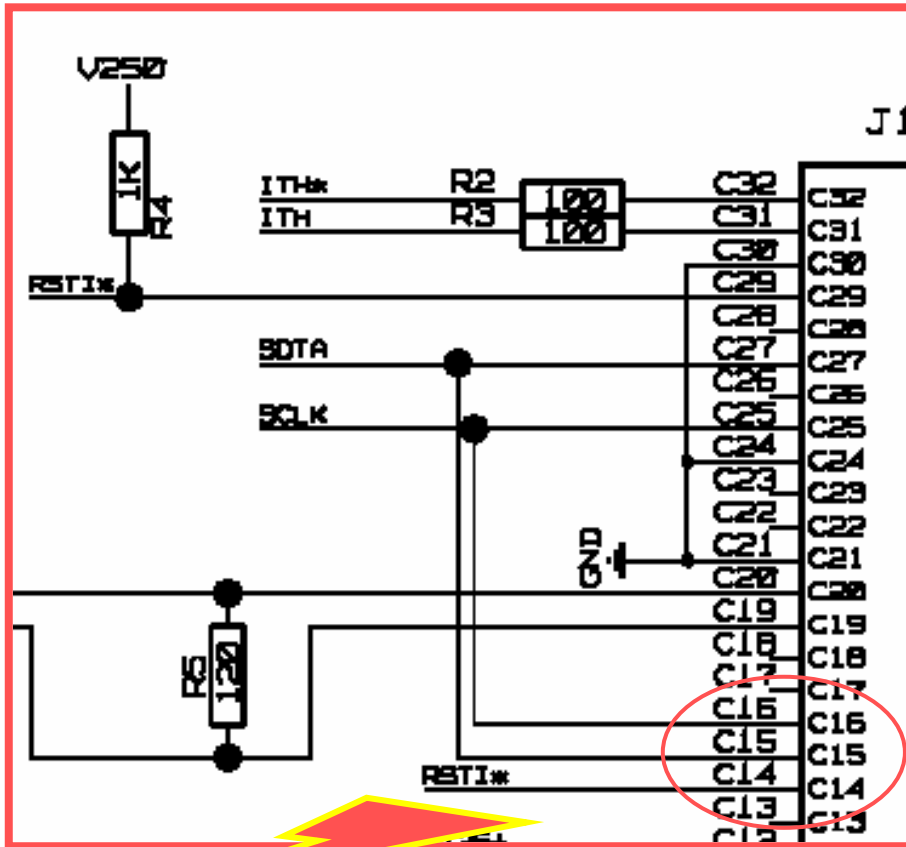
0000

0000

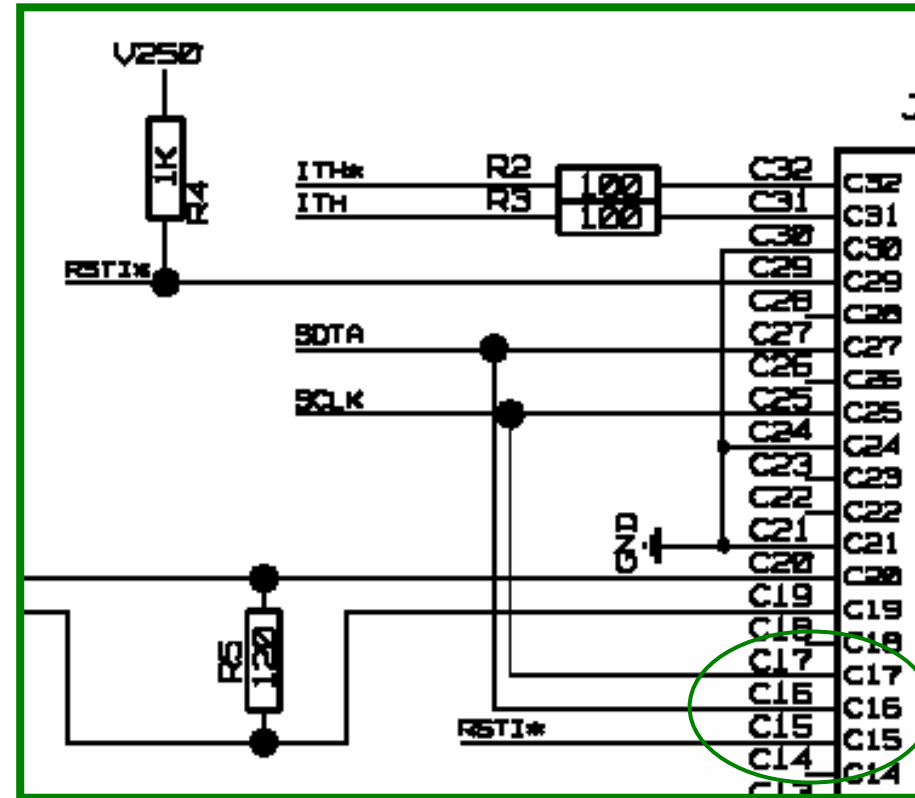
EDMS REF:318639	VERSION:3	PCB:EP 680-1174-400-B SYSTEM:		
REF: EP 680-1174-400-B		TITLE: FE_HYBRID TO UTRI / TEST ADAPTER CARD		
IT/CE 	DIV. EP	ABBREU:	PAGE: 1/1	
	1211 GENEVA 23	LAST_MODIFIED=Fri May 3 08:21:32 2002		
	SWITZERLAND	DESSIN: SANCHEZ M.	ETUDE: HAMMARSTROM	DATE: 03/07/00

EDMS REF:318639	VERSION:4	PCB:EP 680-1174-400-C SYSTEM:		
REF: EP 680-1174-400-C		TITLE: FE_HYBRID TO UTRI / TEST ADAPTER CARD		
IT/CE 	DIV. EP	ABBREU:	PAGE: 1/1	
	1211 GENEVA 23	LAST_MODIFIED=Mon Sep 23 15:06:59 2002		
	SWITZERLAND	DESSIN: SANCHEZ M.	ETUDE: HAMMARSTROM	DATE: 03/07/00

Version 3: may 2002



Version 4: Sept 2002



Bad because C14 is connected to V250 (in VUTRI)

➔ No (reliable) reset.

C15 and C16 connected to OHRST & OHSDA

➔ No problem if no opto-hybrid

C14

C15

C16

C17

C25

C27

C29

